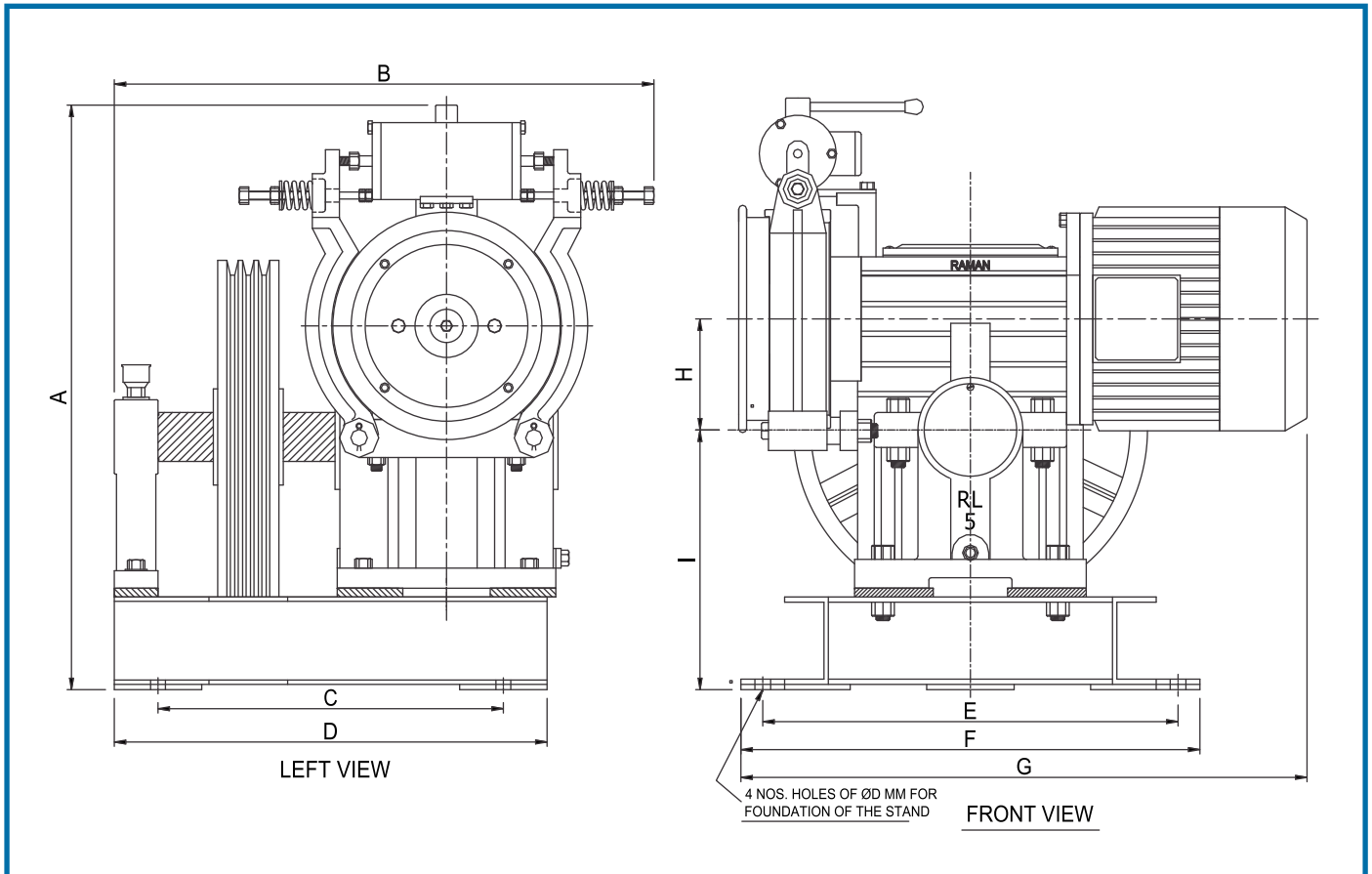


Technical Drawing :



	A	B	C	D	E	F	G	H	I	ØD
RL-4	530	450	315	355	445	490	625	101.6	216	14
RL-5	665	625	395	495	590	640	740	127	290	18
RL-6	695	625	395	495	590	640	775	152.4	290	18

NOTE - AS INNOVATION IN DESIGN IS CONTINUOUS, THE TECHNICAL DATA CAN BE CHANGED WITHOUT PRIOR NOTICE.

ALL DIMENSIONS ARE IN MM.